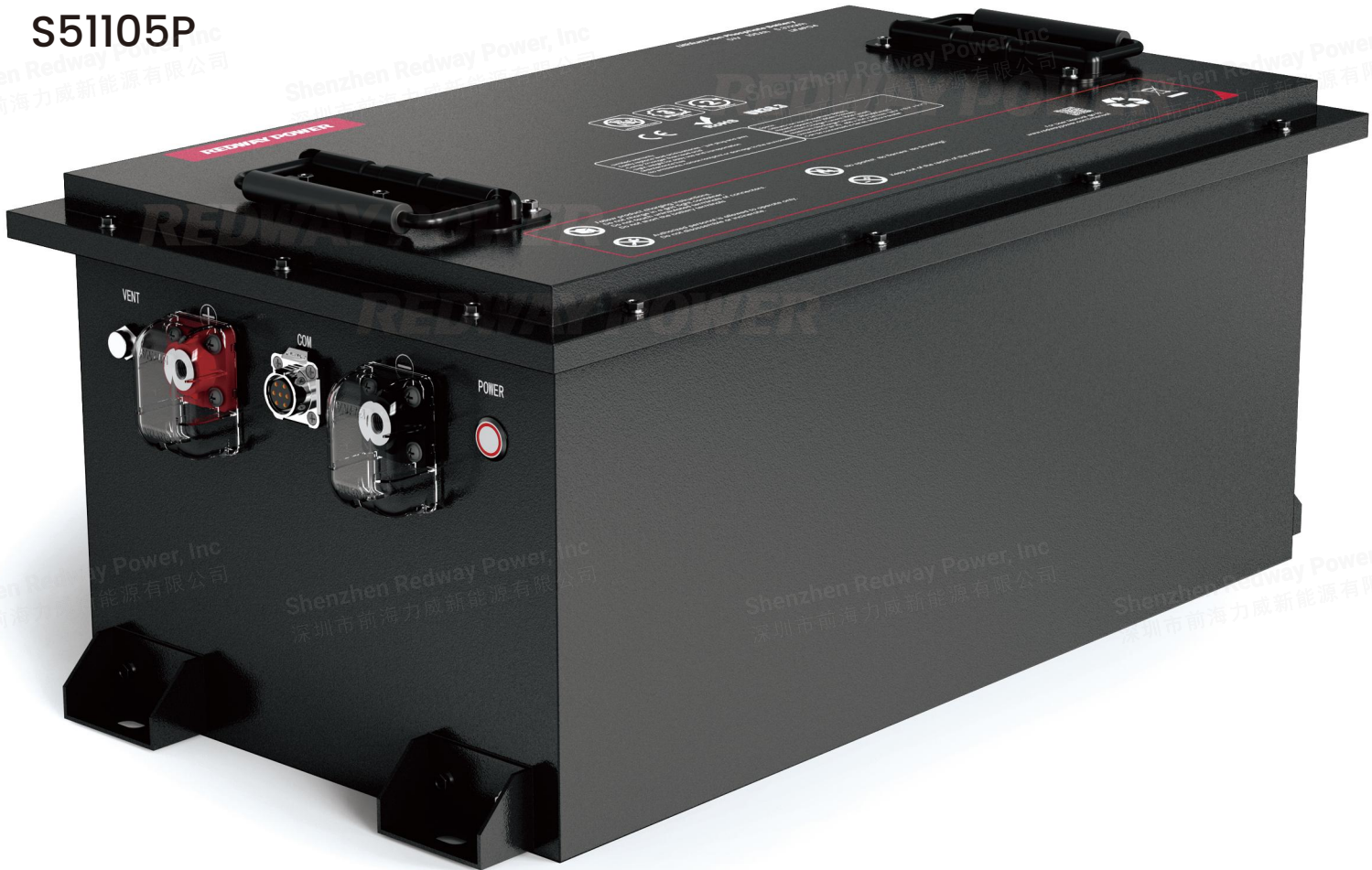


# 48V 100Ah

## Golf Cart / Sightseeing Car Lithium-ion Battery S51105P



### Redway Power OEM / ODM Golf Cart, Sightseeing Car Lithium-ion Batteries

Our Factories specializes in providing a diverse selection of battery sizes and configurations to cater to a wide range of applications for the 2-seat, 4 Seat, 6-seat, 8-seat, 10-seat, 12-seat, 14-seat Golf Carts, Sightseeing Car, Electric Rickshaw, Electric Scooter, etc. Whether you need standard battery options or have unique power requirements, our team of experienced engineers is here to assist you throughout the entire process of designing, developing, testing, and manufacturing custom battery solutions tailored to your specific needs. Feel free to reach out to us today to learn more about our comprehensive range of battery solutions and how we can create a customized solution for you.



**High-Rate Cells**  
High peak discharge rate.



**Long Lifespan**  
Excels in longevity, offering reliable power.



**High Safety**  
Advanced Smart BMS Protection.



**Maintenance-free**  
No maintenance required, No need to replace the battery for several years.



**EV Grade-A Cells**  
Deep Cycles and Low Self Discharge Rate



**Original Factory Price**  
Redway Own Factories, Low Price.

## General Specifications

Battery Cell Type	LiFePO4
Nominal Voltage	51.2V
Nominal Capacity	105Ah
Nominal Energy	5.37kWh
Standard Charge Current	22A (5 Hours)
Max. Charge Current	150A (Continuous)
Max. Discharge Current	150A (Continuous)
Max. Peak Discharge Current	315A (30S)
Charge Voltage	58.4V
Discharge Cut-off Voltage	40V
IP Rating	IP67
Internal Series / Parallels	16S1P
Stroke Per Full Charge	64~81 km (40~50 miles)
Cycle Life	>6000 cycles (DOD 80% @25°C)
Charge Temperature	0°C ~ 60°C
Discharge Temperature	-20°C ~ 60°C
Self Discharge Rate	2% Per month
Battery Shell	Metal
Battery Shell Colors	Black, Gray, White, Yellow, Blue, Red, etc.
Silk Screen / Label	Customizable
User Manual	Customizable
Design Life	10 Years
Warranty	3 Years
BMS Protection	Advanced Smart BMS Monitoring SOC, system voltage, current, cell voltage, cell temperature, PCBA temperature measurement, over-charge, overdischarge, overcurrent, overvoltage, low-voltage, over-temperature, shortcircuit, anti-theft, etc.
Optional Upgrades	Bluetooth, APP, Wi-Fi, 4G, 5G, GPS, Galileo, RS485, RS232, CAN-bus, LCD Screen, Active Balance, Anti-theft, LED indicator light, TACP, SNMP, Fan, Heatsink, Built-in Solar MPPT, Thermal aerosol fire suppression device, Self-heating, etc.

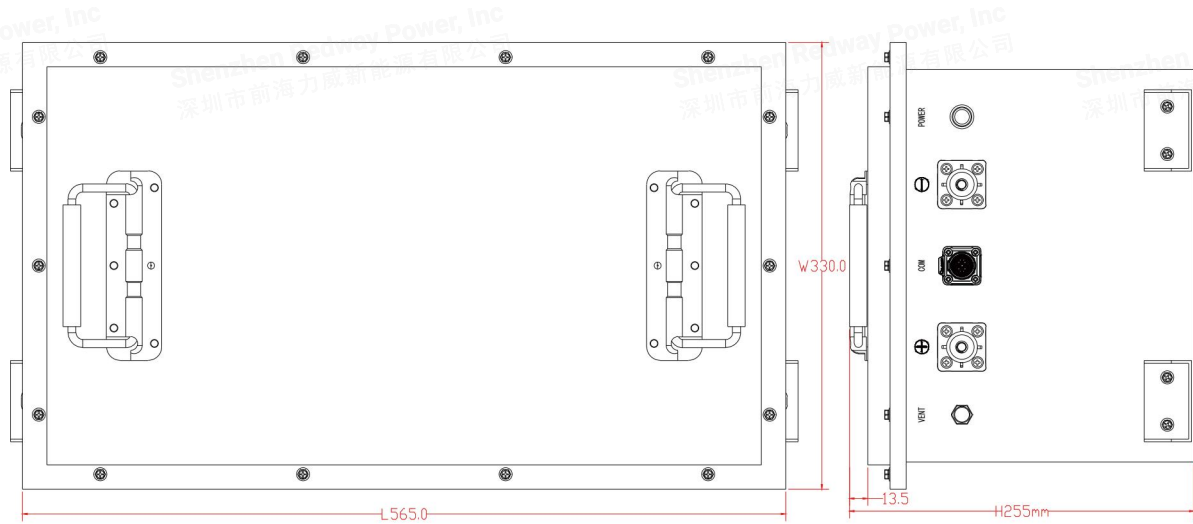
## Mechanical Specifications

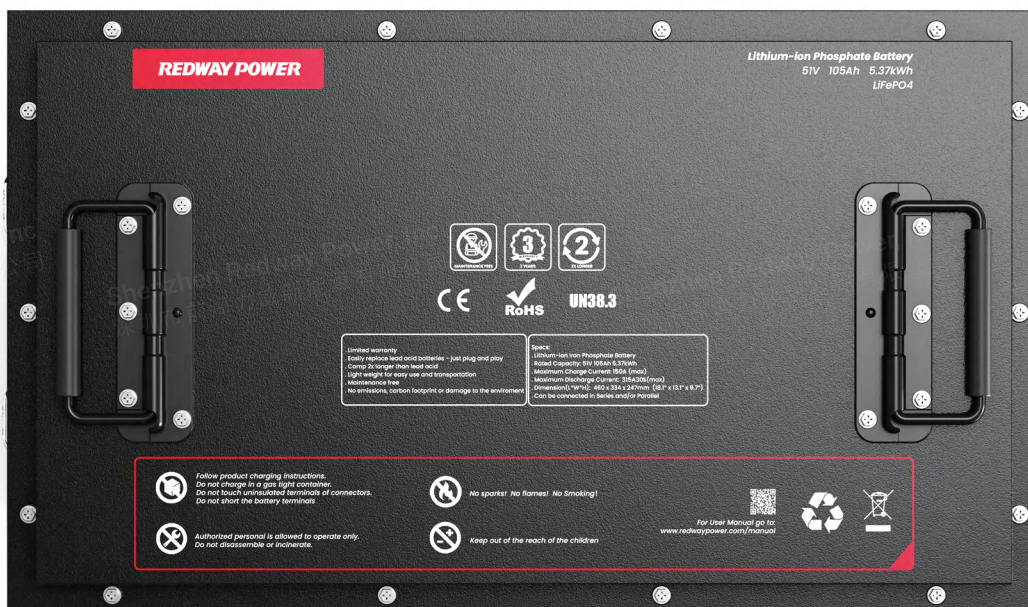
Dimensions [L\*W\*H] 565\*330\*255 mm

Weight 46.8 kg (103.1 lbs)

**Note:**

\* Dimensions and weight differ slightly for each batch. Contact Redway for additional information.







REDWAY POWER  
Lithium-Ion Phosphate Battery  
48V 105Ah 6.28kWh  
LiFePO4

REDWAY POWER  
Lithium-Ion Phosphate Battery  
72V 105Ah 8.28kWh  
LiFePO4

REDWAY POWER  
Lithium-Ion Phosphate Battery  
51.2V 105Ah 5.37kWh  
LiFePO4

REDWAY POWER  
Lithium-Ion Phosphate Battery  
51.2V 56Ah 2.68kWh  
LiFePO4

REDWAY POWER  
Lithium-Ion Phosphate Battery  
38.4V 80Ah 3.07kWh  
LiFePO4

**REDWAY**

**REDWAY POWER**

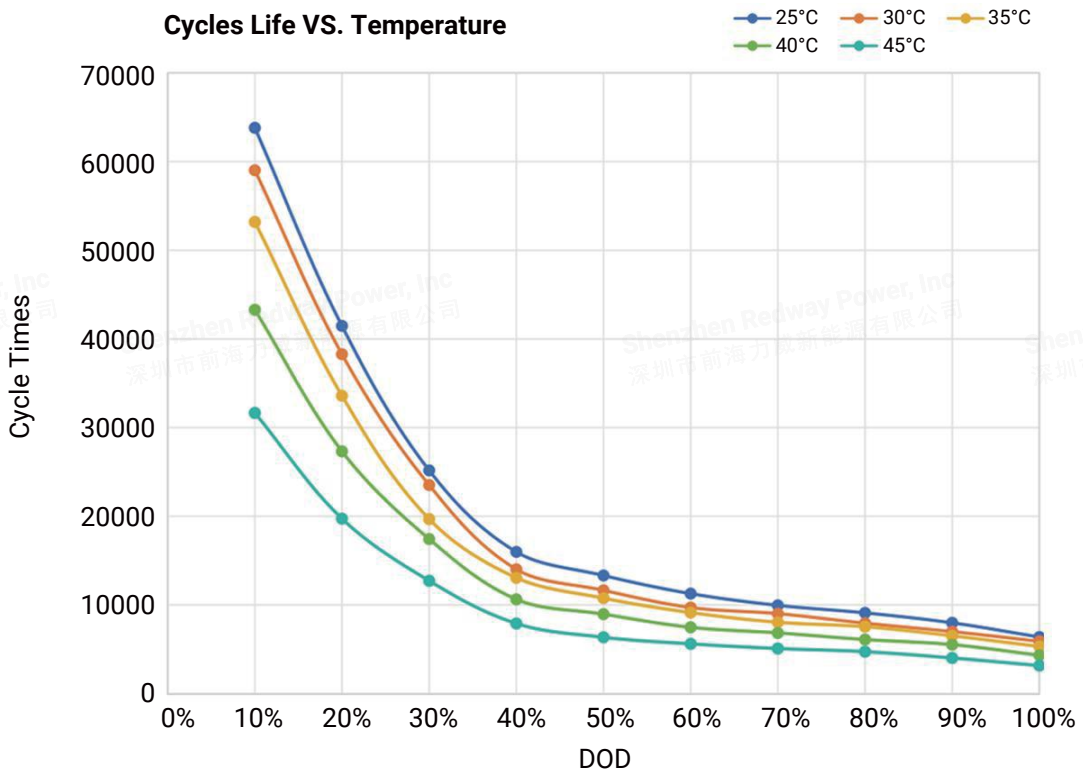
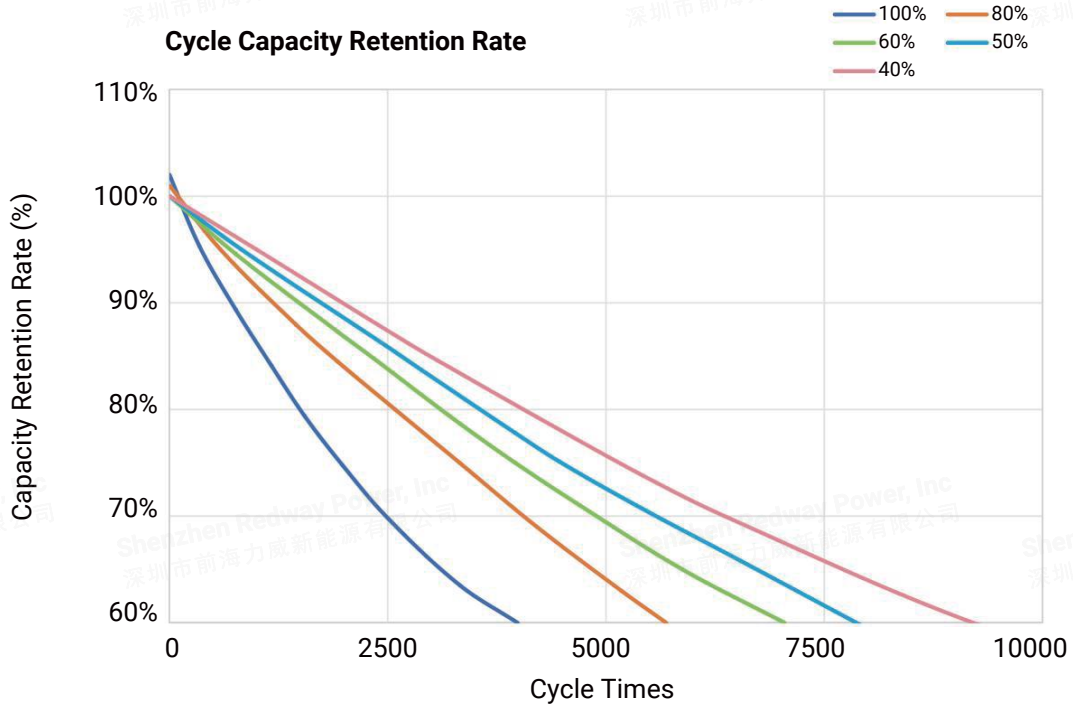
Shenzhen Redway Power, Inc.  
深圳市前海力威新能源有限公司

## Cycle Life Testing Report

The data source is based on reliable laboratory measured data for computational deduction.

### Battery Test Environment and Conditions

Temperature	25°C
Charge & Discharge Rate	0.5C
EOL	60%
DOD	X%



## Bluetooth APP Demo

Our APP can be operated by both Android and IOS. It establish a Bluetooth connection between your smart phone and the battery, usages includes below: managing the battery pack, gathering the data and displaying them, conducting modifications on settings. Bluetooth APP can achieve below functions:

1. Friendly APP interface, customizable interface UI.
2. Display the basic data of battery pack.
3. Modifying the communication between BMS and inverter.
4. Setting Alert Parameters and Switch On/Off.
5. Supports Android and iOS mobile operating systems.
6. Capable of real-time viewing and recording of battery status information.
7. Readable and writable real-time parameters of the BMS system.
8. Bluetooth module upgrades can be implemented through the APP.
9. Software upgrades for the BMS module.
10. Capable of networking and operating Bluetooth.
11. Wi-Fi configuration via Bluetooth.
12. Support Single and Parallel operation.
13. Shift between Chinese and English.



**Note:**

\* This is just a demonstration interface, the standards for voltage and capacity vary among different batteries.